

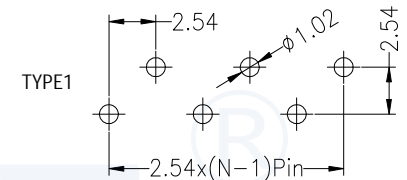
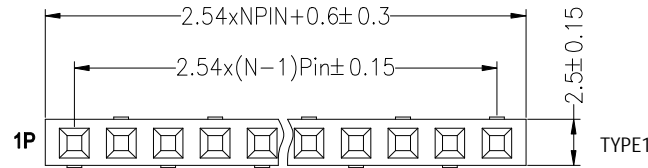
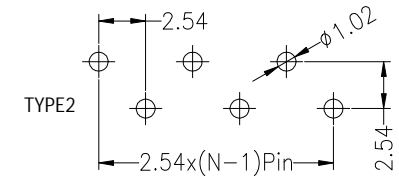


SPECIFICATIONS

Rated Current:3.0AMP
 Contact Resistance:20mΩ Max
 Withstand Voltage:1000V AC/DC
 Insulation Resistance:1000MΩ Min
 Operation Temperature:-40°C to +105°C

Contact Material:Phosphor Bronze
 Contact Plating:Au or Sn Over Ni
 Insulator Material:Polyester(UL94V-0)
 Standard: PA6T
 Max.Processing Temp: 230°C for 30-60 seconds
 (260°C for 10 seconds)

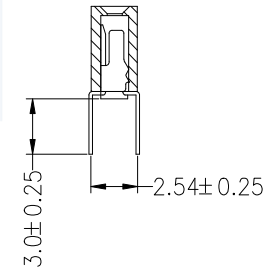
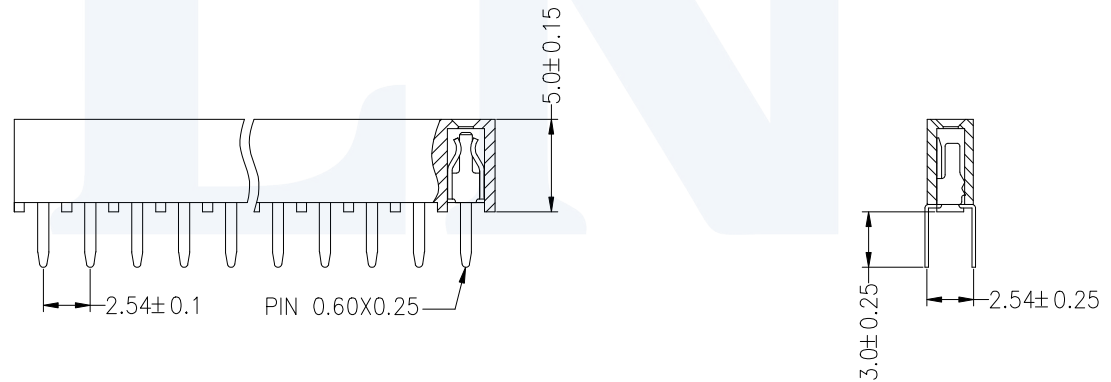
Recommended P.C.B Layout(Top Side)
 (PCB BOARD TOLERANCE±0.05)



Ordering Information

2250 01 XX X N XX W U X 0X

- No.of Pins
2-40
- Insulator Material
Option
A=BK-PBT
C=BK-PA6T
D=BK-PA46
E=BK-PA9T
F=BK-LCP
- Contact Plating
G1:Gold Flash
G2:1.5U" Gold
G3:2U" Gold
G4:3U" Gold
G5:5U" Gold
S0:Gold Flash/Tin
SN:Tin
- Packing
0=PE Bag
A=Tray
T=Tube
P=Tube+Cap
R=Reel+Cap
M=Reel+Mylar



OPERATION		DRAW	YiYuSheng	16.03.28	SCALE	FIT
X.X	±0.30					
X.XX	±0.20	CHECK			UNIT	mm
X.XXX	±0.10					
Angle	±3°	APPROVE			SHEET	1/1
DIM	TOL					

JILN 深圳市锦凌电子有限公司
 SHENZHEN JINLING ELECTRONIC CO.,LTD
 Tel: 86-755-2997-5806/5802 Fax: 86-755-2997-5992

A0	2016.03.28	NEW DRAWING	
REV	DATE	MODIFICATION DESCRIPTION	CHANGE

PART NO.	225001XXXNXXWUX0X
TITLE:	2.54PF H5.0mm 1xNpin SMT W2.5 蜈蚣脚