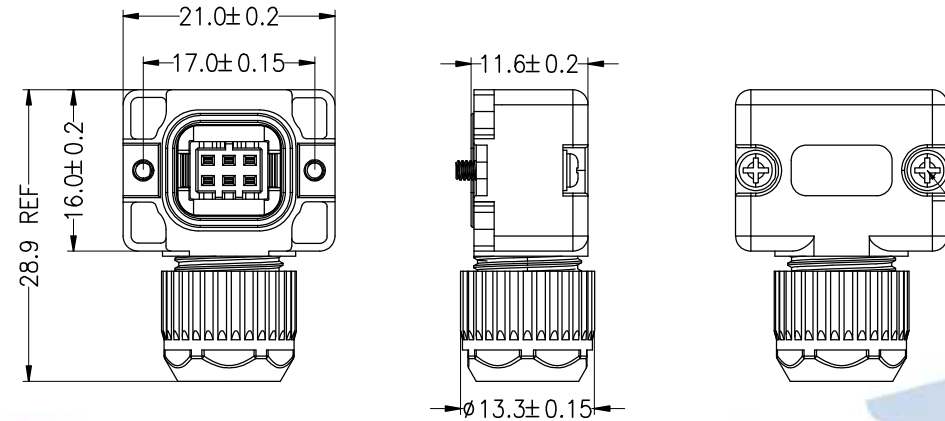


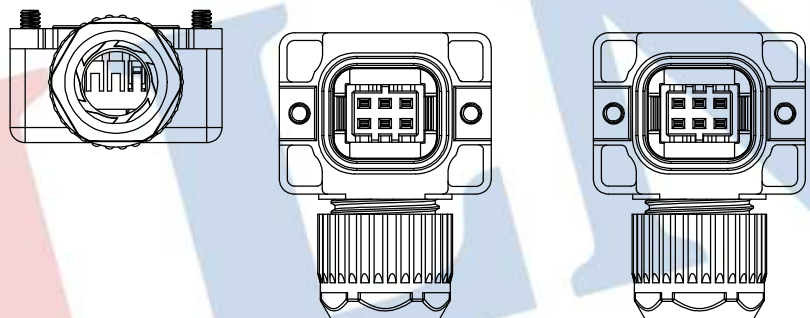
HSF RoHS

Note:
 Current Rating: 1A ma.
 Voltage Rating: 100 VAC.
 Insulation Resistance:>1000 MΩ at @500VDC
 Withstand Voltage:500VAC for 1 minute
 Contact Resistance: 10 mΩ MAX
 Operation Temperature:-40°C to +125°C

applicable Cable:
 AWG#26 to #22
 Coated outer dia:1.1 to 1.4 dia
 Cable outer dia: 5.0 to 5.8 dia
 Contact Material:Brass
 Contact Plating:Au or Sn Over Ni
 Insulator Material:PBT (UL94V-0) Black

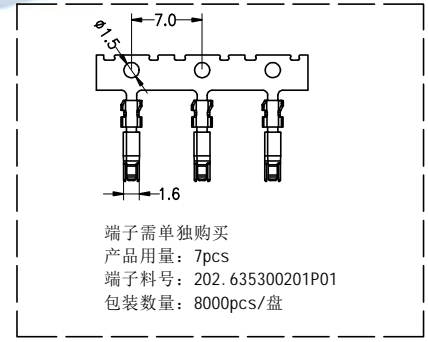


1. M2螺丝要求对应使用1#螺丝刀头。
2. 破坏扭力为0.3 N.m(Max), 建议使用扭力0.15 ±0.015N.m.



正向出线样式

反向出线样式



NO	NAME	Q'TY	MATERIAL	DESCRIPTION	REMARKS
1	NUT	2	COPPER ALLOY	NATURAL COLOR	M2*0.4
2	HOUSING	1	PBT UL94V-0	BLACK	
3	Terminal	7	COPPER ALLOY	PLATING GOLD	
4	SOCKET SEALING	2	SYNTHETIC RUBBER	GREEN	
5	SOCKET SEALING	1	SYNTHETIC RUBBER	YELLOW	
6	Brake Contact	7	Copper Alloy	Plating Gold	

OPERATION		DRAW	Tim Chu	2022.07.12	SCALE	FIT
X.X	±0.30					
X.XX	±0.20	CHECK	Ou Yang Hui	2022.07.12	SIZE	A4
X.XXX	±0.10					
Angle	±3°	APPROVE	Wang Wei	2022.07.12	SHEET	1/2
DIM	TOL					
		PROJ.				

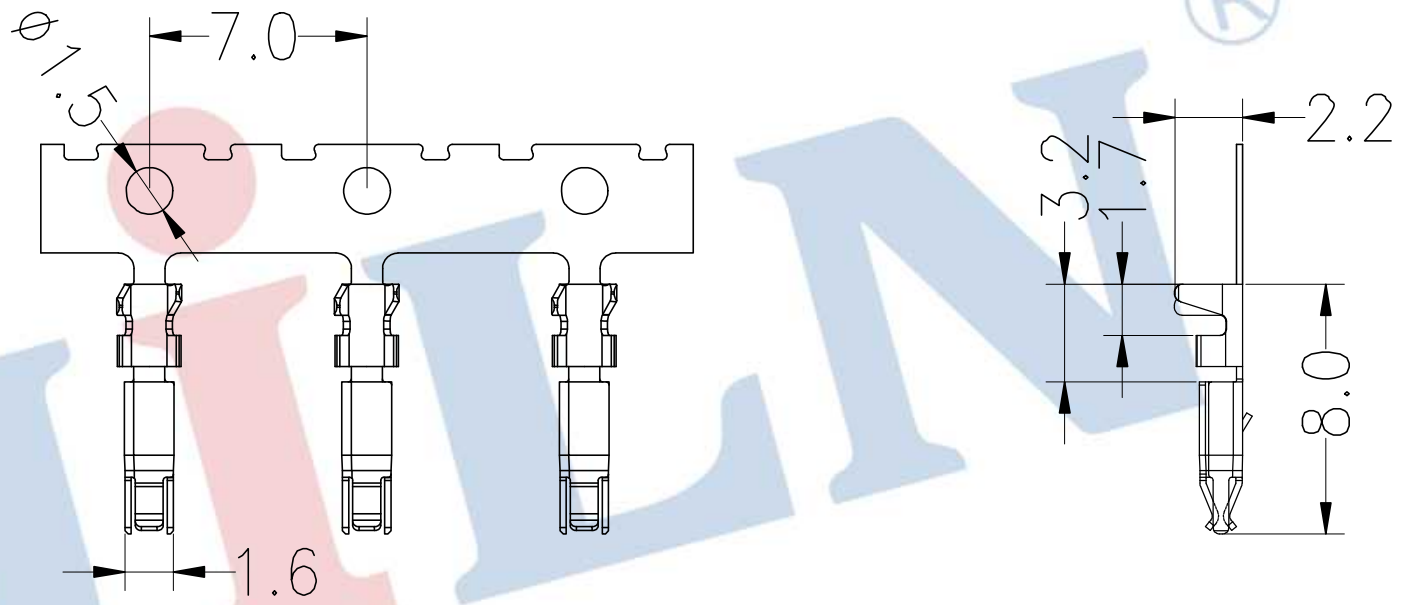
JILN® 深圳市锦凌电子有限公司
 SHENZHEN JINLING ELECTRONICS CO.,LTD
 Tel: 86-755-27483253 Fax: 86-755-2997-5588

REV	DATE	MODIFICATION DESCRIPTION	CHANGE
A0	2022.07.12	NEW DRAWING	

PART NO.	6353-06SG4AA01
TITLE:	伺服电动力勾板型线端 小6P Connector

HSF RoHS

Material: Phosphor Bronze
 Plating: Au Over Ni



				OPERATION		DRAW	Jelly Feng	22.08.12	SCALE	FIT	JILN [®] 深圳市锦凌电子有限公司 SHENZHEN JINLING ELECTRONICS CO.,LTD Tel: 86-755-27483253 Fax: 86-755-2997-5992	
				X.X	±0.30							
				X.XX	±0.20	APPROVE	SIZE	A4	PART NO.		202. 6353002XXP01	
				X.XXX	±0.10		DIM	TOL	SHEET	1/1	TITLE:	
REV	DATE	MODIFICATION DESCRIPTION	CHANGE						PROJ.	☞		

A

A

1 2 3 4 5 6 7 8 9