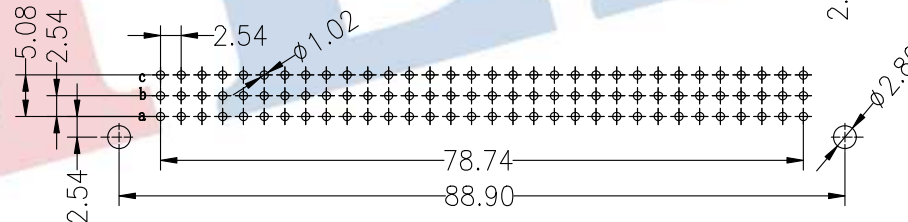
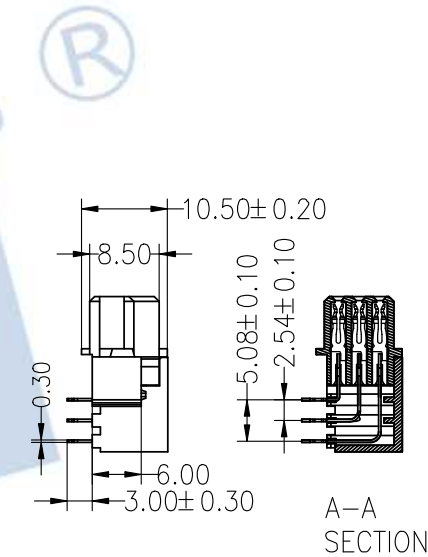
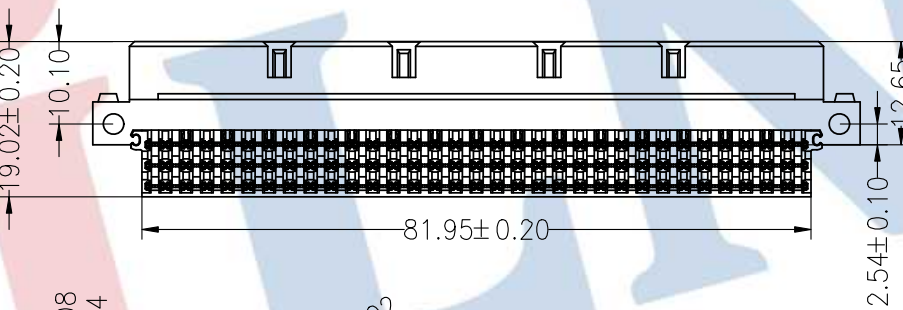
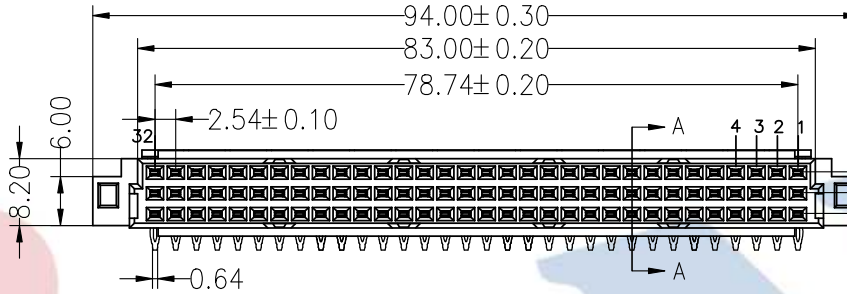
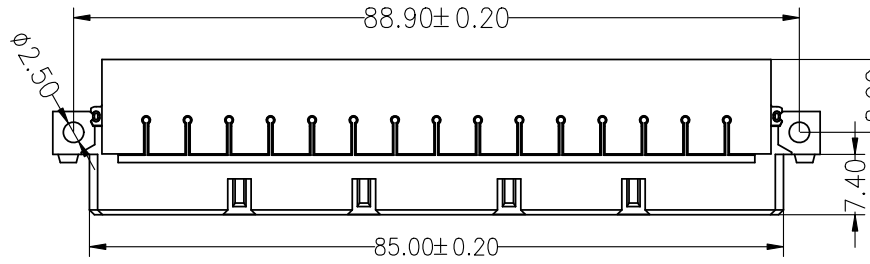




SPECIFICATIONS

Rated Current:3.0AMP
 Contact Resistance:30mΩ Max
 Withstand Voltage:1000V AC/DC
 Insulation Resistance:1000MΩ Min
 Operation Temperature:-40°C to +105°C

Contact Material:Phosphor bronze
 Contact Plating:Au or Sn Over Ni
 Insulator Material:Polyester(UL94V-0)
 Resistance To Soldering Heat:
 245° C±5° C, 10s(PBT insulator)



Recommended P.C.B Layout

Ordering Information
3515 3 96 A F R XX B N A X

No.of Pins 396	Contact Type F=Female	Contact Plating G0:Gold Flash G1:3U" Gold G2:5U" Gold S0:Gold Flash/Tin S1:2U" Gold/Tin S2:5U" Gold/Tin S3:10U" Gold/Tin SN:Tin	Stream Code
-------------------	--------------------------	---	-------------

				OPERATION		DRAW	YiYuSheng	18.11.26	SCALE	FIT	JILN ® 深圳市锦凌电子有限公司 SHENZHEN JINLING ELECTRONICS CO.,LTD Tel: 86-755-27483253 Fax: 86-755-2997-5588	
				X.X	±0.30				UNIT	mm		
				CHECK		APPROVE			SIZE	A4	PART NO.	3515396AFRXXBNAX
				X.XX	±0.20				SHEET	1/1	TITLE:	DIN 41612 396 90° Female Press Fit(鱼眼系列) PC3.0
AO	2018.11.26	NEW DRAWING		Angle	±3°							
REV	DATE	MODIFICATION DESCRIPTION		DIM	TOL							