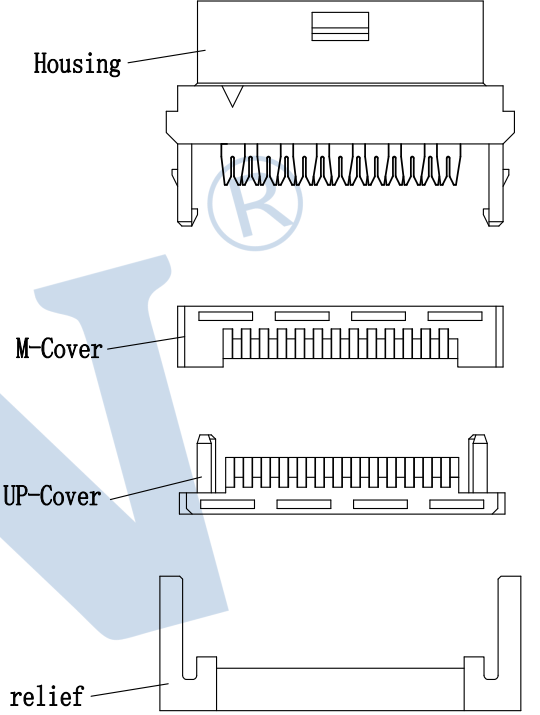
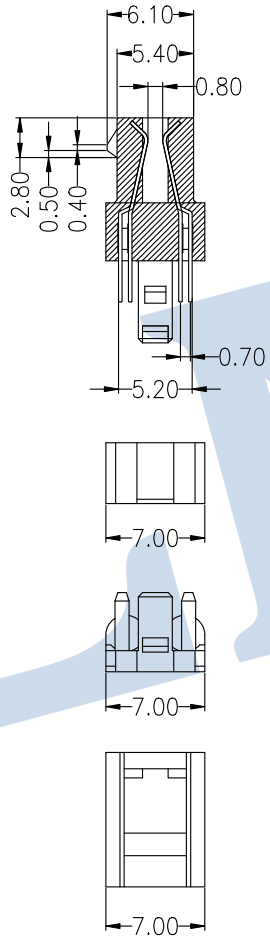
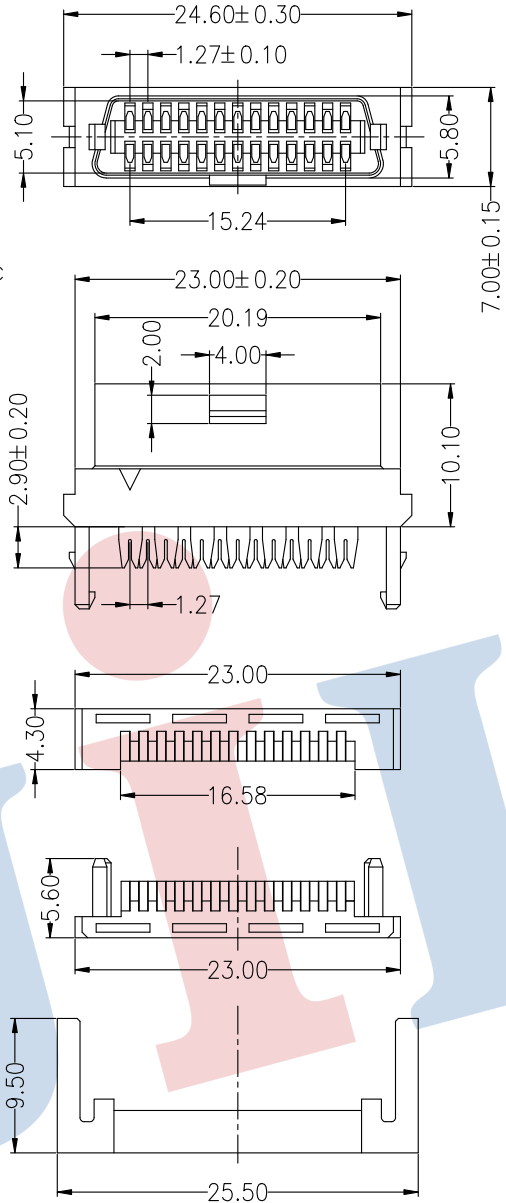


**HSF RoHS**

**SPECIFICATIONS**

Rated Current:1.0AMP  
 Contact Resistance:35mΩ Max  
 Withstand Voltage:500V AC/DC  
 Insulation Resistance:500MΩ Min  
 Operation Temperature:-40°C to +105°C  
 Wire Accomodation:28AWG

Contact Material:Phosphor Bronze  
 Contact Area Plated:Au or Sn Over Ni  
 Resistance To Soldering Heat:  
 245° C±5° C, 10s(PBT insulator)



SCSI Four Type assemble

**Ordering Information**  
**6340F - 026 S I XX P N A X**

No.of Pins: 26P  
 Contact Plating: S2:3U" Gold /Tin  
 code stream: 01~99

				OPERATION		DRAW		YiYuSheng		13.08.28		SCALE		FIT		<b>JILN® 深圳市锦凌电子有限公司</b> <b>SHENZHEN JINLING ELECTRONICS CO.,LTD</b> Tel: 86-755-27483253 Fax: 86-755-2997-5588	
				X.X ±0.30		CHECK						UNIT		mm			
				X.XX ±0.20		APPROVE						SIZE		A4			
A0				2013.08.28		NEW DRAWING						SHEET		1/1			
REV				DATE		MODIFICATION DESCRIPTION		CHANGE		DIM		TOL		PROJ.			
																PART NO. 6340F-026SIS2PNAX	
																TITLE: SCSI D-Type Female 26P IDC Four Type	