

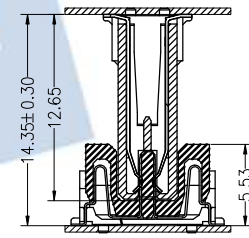
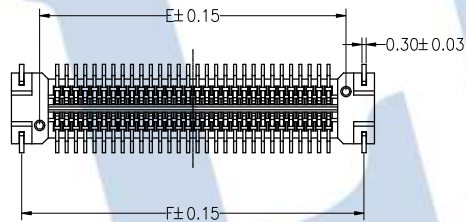
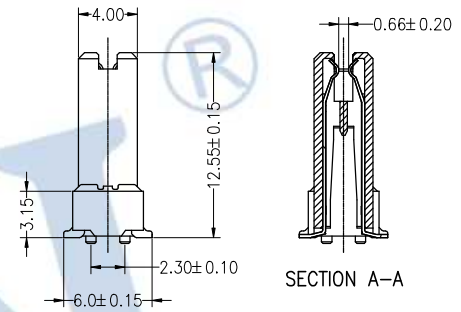
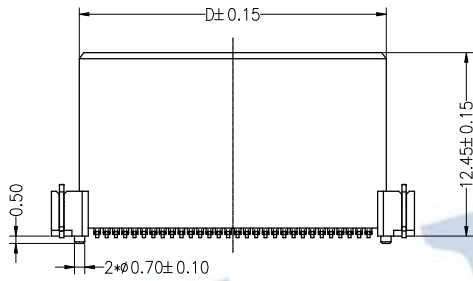
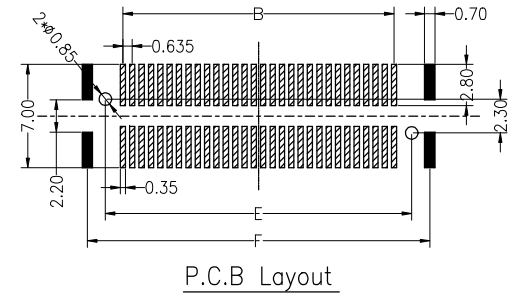
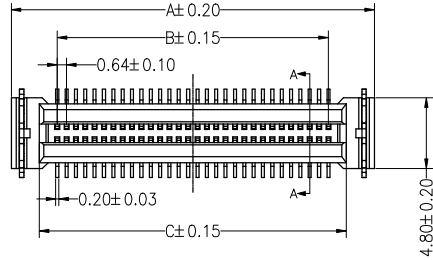
HSF RoHS

**SPECIFICATIONS
PERFORMANCE**

Electical Rating: AC/DC 50V 0.5A
 Contact Resistance: 80mΩ Max
 Insulation Resistance: 500MΩ Min
 Withstand Volt: 500V AC/minute
 Opratng Temperature: -40°C to +105°C

Material

Contact: Phosphor Bronze Gold-Plated
 Locating plate: Phosphor Bronze
 Housing: LCP UL94V0
 Max.Processing Temp: 260°C±5°C 5S



Ordering Information

3724 M XXX 125 XX X X 0X

F=Female
M=Male

No.of Pins
NPin
N=60

Plastic Hight
125=12.55mm

Contact Plating
G0:Gold Flash
G1:3U" Gold
G2:5U" Gold
G3:10U" Gold
G4:15U" Gold
S0:1.5U" Gold/Tin
S1:3U" Gold/Tin

Insulator Material Option
D=BK-PA46
E=BK-PA9T
F=BK-LCP

Packing
T:Tube
R:Reel

Dimension Table						
No Of Pins	Dim A	Dim B	Dim C	Dim D	Dim E	Dim F
60	24.65	18.42	19.65	20.85	20.80	23.25

A	AO	2023.03.06	NEW DRAWING	CHANGE	OPERATION	DRAW	Jelly Feng	2023.03.06	SCALE	FIT	JILN ® 深圳市锦凌电子有限公司 SHENZHEN JINLING ELECTRONICS CO.,LTD Tel: 86-755-2997-5806/5802 Fax: 86-755-2997-5992	
	REV	DATE	MODIFICATION DESCRIPTION	CHANGE	X.X	±0.30	APPROVE		UNIT	mm		
					X.XX	±0.20			CHECK	SIZE		A4
					X.XXX	±0.10				SHEET		1/1
					Angle	±3°				PART NO.		3724MXXX125XXXX0X
				DIM	TOL				TITLE:	0.635mm 浮动式 BTB NPin H12.5 Male		