

# HSF RoHS

Note:

Current Rating: 1A ma.

Voltage Rating: 100 VAC.

Insulation Resistance: >1000 MΩ at @500VDC

Withstand Voltage: 500VAC for 1 minute

Contact Resistance: 10 mΩ MAX

Operation Temperature: -40° C to +125° C

applicable Cable:

AWG#24 to #22

Coated outer dia: 1.1 to 1.4 dia

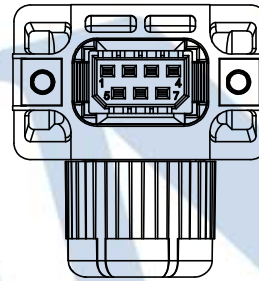
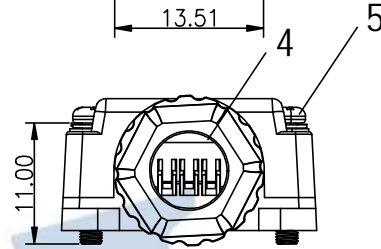
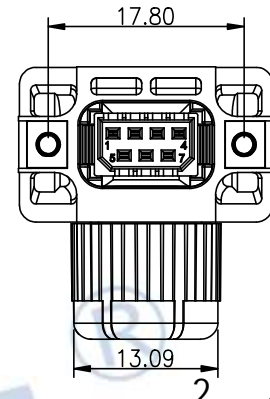
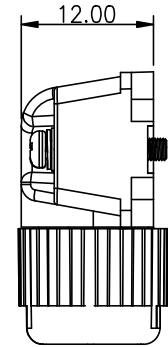
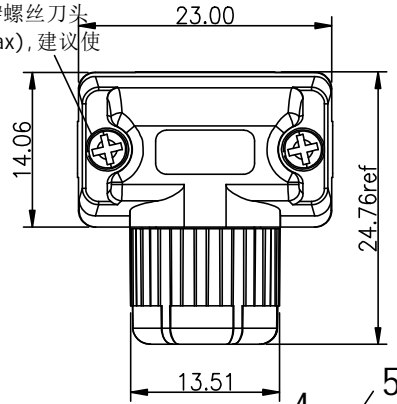
Cable outer dia: 5.0 to 5.4 dia

Contact Material: Copper Alloy

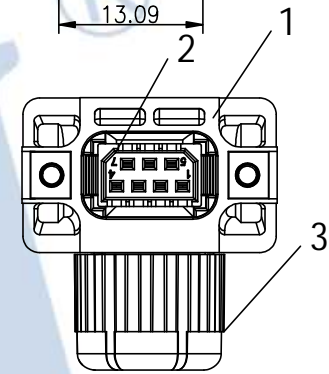
Contact Plating: Gold flash

Insulator Material: PA46 (UL94V-0) Black

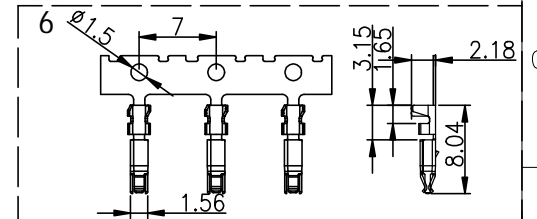
- M2螺丝要求对应使用1#螺丝刀头
- 破坏扭力为0.3N.m (Max), 建议使用扭力0.15±0.015N.m



正向出线样式



反向出线样式



信号端子

产品用量: 7pcs

端子料号: 202.635300202P01

包装数量: 8000pcs/盘, 需单独购买

NO.	NAME	Q' TY	MATERIAL	DESCRIPTION
1	Outside shell (外壳)	1	PA66 UL94V0	Black
2	Housing (主体)	1	PA46 UL94V0	Black
3	Nut (螺母)	1	PA66 UL94V0	Black
4	Waterproof ring (防水圈)	1	Rubber	
5	Screw (螺丝)	4	Stainless steel	M2*10.5
6	Brake Contact	7	Copper Alloy	Plating Gold

OPERATION		DRAW	Tim Chu	2022.11.12	SCALE	FIT
X.X	±0.30					
X.XX	±0.20	CHECK	Ou Yang Hui	2022.11.12	UNIT	mm
X.XXX	±0.10					
Angle	±3°	APPROVE	WANG WEI	2022.11.12	SIZE	A4
DIM	TOL					
					SHEET	1/1
					PROJ.	TITILE:

<b>JILN</b> 深圳市锦凌电子有限公司 SHENZHEN JINLING ELECTRONICS CO.,LTD Tel: 86-755-2997-5806/5802 Fax: 86-755-2997-5992		PART NO.	6353C-07S-AE-W00
		TITILE:	JM20伺服电机编码器插头7P/小型直口

AO	DATE	MODIFICATION DESCRIPTION	CHANGE
	2022.11.12	NEW DRAWING	
REV	DATE	MODIFICATION DESCRIPTION	CHANGE