

HSF RoHS

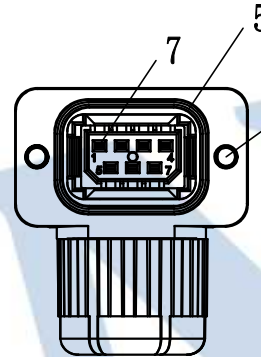
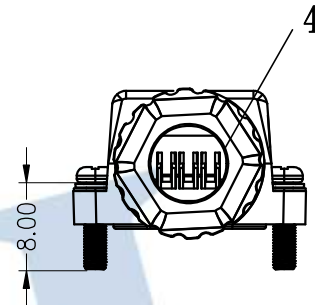
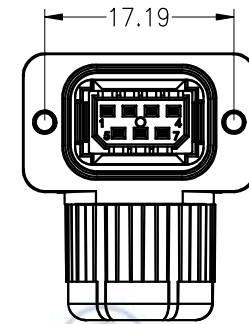
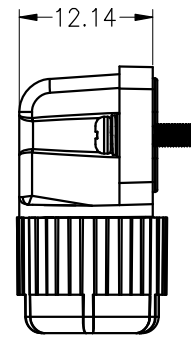
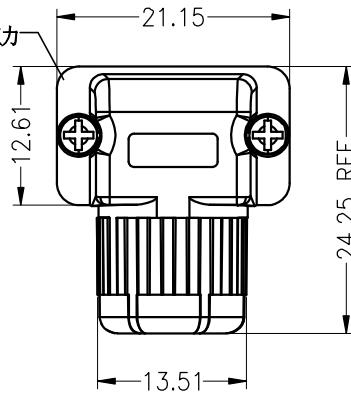
1. M2螺丝要求对应使用1#螺丝刀头
2. 破坏扭力为0.3N.m (Max), 建议使用扭力 0.15±0.015N.m

Note:

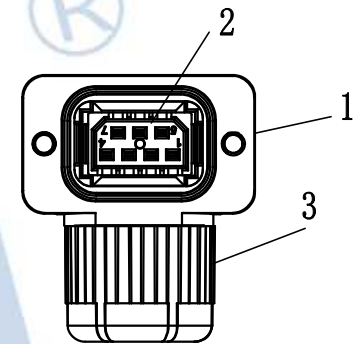
Current Rating: 1A ma.
 Voltage Rating: 100 VAC.
 Insulation Resistance:>1000 MΩ at @500VDC
 Withstand Voltage:500VAC for 1 minute
 Contact Resistance: 10 mΩ MAX
 Operation Temperature:-40° C to +125° C

applicable Cable:

AWG#24 to #22
 Coated outer dia:1.1 to 1.4 dia
 Cable outer dia: 5.0 to 5.4 dia
 Contact Material:Copper Alloy
 Contact Plating:Gold flash
 Insulator Material:PA46 (UL94V-0) Black

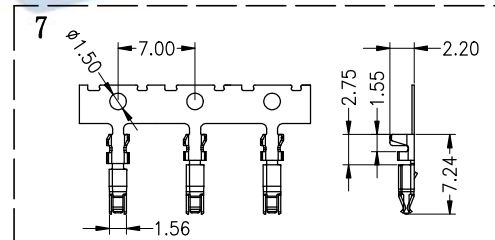


正向出线样式



反向出线样式

NO.	NAME	Q' TY	MATERIAL	DESCRIPTION
1	Outside shell(外壳)	1	PA66 UL94V0	Black
2	Housing(主体)	1	PA46 UL94V0	Black
3	Nut(螺母)	1	PA66 UL94V0	Black
4	Waterproof ring(防水圈)	1	Silica Gel UL94V2	Black
5	Waterproof ring(防水圈)	1	Silica Gel UL94V2	Yellow
6	Screw(螺丝)	2	Stainless steel	M2*8.0
7	Brake Contact	7	Copper Alloy	Plating Gold



端子需单独购买
 产品用量: 7pcs
 端子料号: 202.635300202P01
 包装数量: 8000pcs/盘

OPERATION		DRAW	Tim Chu	2022.11.12	SCALE	FIT
X.X	±0.30					
X.XX	±0.20	CHECK	Ou Yang Hui	2022.11.12	SIZE	A4
X.XXX	±0.10					
Angle	±3°	APPROVE	WANG WEI	2022.11.12	SHEET	1/1
DIM	TOL					
PROJ.						

JILN 深圳市锦凌电子有限公司
 SHENZHEN JINLING ELECTRONICS CO.,LTD
 Tel: 86-755-2997-5806/5802 Fax: 86-755-2997-5992

NO.	DATE	MODIFICATION DESCRIPTION	CHANGE
A0	2022.11.12	NEW DRAWING	
REV	DATE	MODIFICATION DESCRIPTION	CHANGE

PART NO. 6353D-07S-AA-W00
 TITLE: 伺服电机编码器小功率线端7P外壳/小型直口